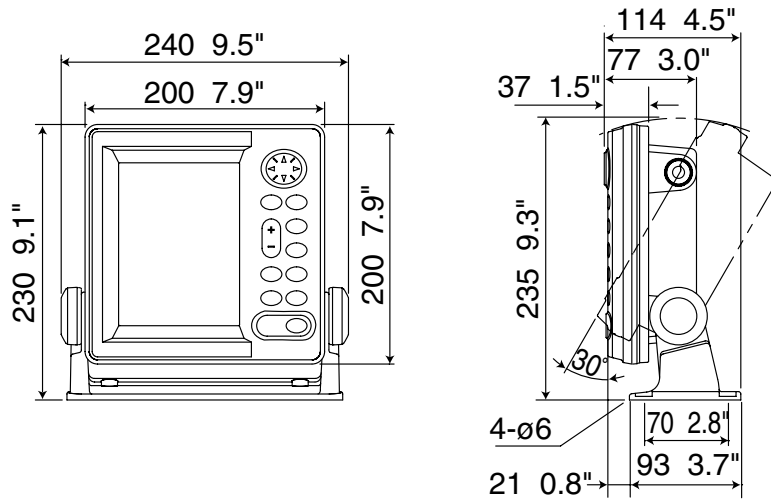


# 1715 Radar Dimensional Drawings

Model 1715 Display Unit

1.5 kg 3.3 lb



Model 1715 Antenna

5.1 kg 11.2 lb

